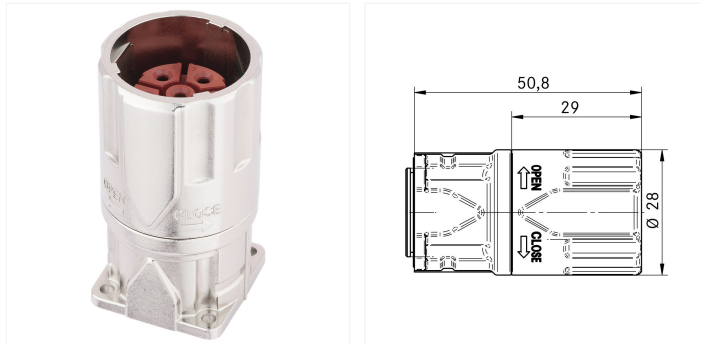


EPIC® POWER LS1 A6 5+PE K TWIST

Article No.: 24441291

Round housing; M 23 power; Socket; Number of contacts: 5+PE;



Details

Application

- Plant engineering

Notes

Unless specified otherwise, the product values shown are rated values at room temperature. You can receive additional values, such as tolerances, upon request if they are available and have been released for publication.

Photographs and graphics are not to scale and do not represent detailed images of the respective products.

If applicable, the prices are solid metal prices without additional charges and VAT. Sales only to business customers.

Remarks

Technical Data

General information

Brand	EPIC®
Product type	Round housing

Scope of delivery	including contacts
Contacts included	Yes
Delivery Unit	5

Electrical parameters

Rated surge voltage	6 kV AC rms / DC according to IEC 61984
Rated voltage	630 V AC rms / DC according to IEC 600 V AC rms / DC according to UL 600 V AC rms / DC according to CSA
Rated current	25 A according to UL 25 A according to CSA 25 A according to IEC
Overtoltage category	III

Product design

Number of contacts	5+PE
Number of power contacts	5
Number of PE contacts	1
Number of signal contacts	0
Total length	1.102 in
Overall width	1.102 in
Overall height	1.996 in
Contact variant	Socket
Connector housing design	Straight
Coded	No
With thread	No
With protective conductor	Yes
Leading PE contact	Yes
Format of connector	M 23 power
Connector type	Socket
Screen contact	No
EMC shielding	Yes
Connection type conductor	Crimp termination
PE connection type	Crimp termination

Stripping length, power contact	8 mm
Stripping length of PE	0.315 in
Connectable conductor cross section min. (AWG)	22 AWG
Max. connectable conductor cross-section AWG	14 AWG
Connectable conductor cross-section for power contacts min. (mm ²)	0.5 mm ²
Connectable conductor cross-section for power contacts max. (mm ²)	2.5 mm ²
Housing main material	Zinc alloy
Housing coating	Nickel-plated
Coating housing shortname	Ni
Material contact	Brass
Contact material, short form	CuZn
Contact coating material	Gold-plated
Contact coating material, short form	Au
Contact insert material	Polyamide
Material contact insert shortname	PA
Seal type	Sealing ring
Material sealing	Fluorinated rubber
Colour housing	silver

Product features

Min. number of insertion cycles	500
Protection rating (IP), mounted	IP 2X
IP protection rating mounted	IP 68 - 1m (10h)
Pollution degree	3
Operating temperature min. static (no plugging or unplugging)	-40 °C
Operating temperature max.	-25 °C
Operation temperature max.	125 °C
Corrosion-resistant according to corrosion resistant	DIN EN 60068-2-60, Ke 4
Halogenfree	Yes
	No

Impact proof	Yes
Vibration protection	Yes

Certifications and standards

CE marking	Yes
UR recognized	Yes
UL category control number	CYJV2
cUR recognized	Yes
cUR category control number	CYJV8
CSA certified	No
VDE certified	Yes
VDE registration number	B25
Product standard according to IEC	IEC 61984

EPIC® POWER LS1 A6 TWIST

Article No.	Name	Number of contacts	Contacts included	Delivery Unit	Number of power contacts	Number of PE contacts	Connectable conductor cross-section for power contacts min. (mm ²)	Connectable conductor cross-section for power contacts max. (mm ²)	Number of signal contacts	Connectable conductor cross-section for signal contacts min. (mm ²)	Connectable conductor cross-section for signal contacts max. (mm ²)
24441291	EPIC® POWER LS1 A6 5+PE K TWIST	5+PE	Yes	5	5	1	0.5 mm ²	2.5 mm ²	0		
24441292	EPIC® POWER LS1 A6 3+PE+4 K TWIST	3+PE+4	Yes	5	3	1	0.5 mm ²	2.5 mm ²	4	0.14 mm ²	1 mm ²

V1.1