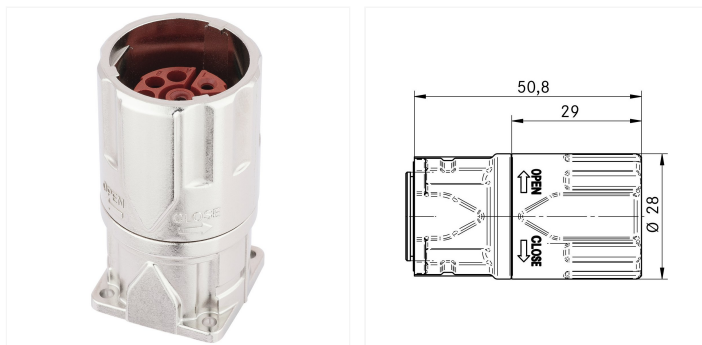


**EPIC® POWER LS1 A6 3+PE+4 K TWIST**

**Article No.:** 24441292

Round housing; M 23 power; Socket; Number of contacts: 3+PE+4;



**Details**

**Application**

- Plant engineering

**Notes**

Unless specified otherwise, the product values shown are rated values at room temperature. You can receive additional values, such as tolerances, upon request if they are available and have been released for publication.

Photographs and graphics are not to scale and do not represent detailed images of the respective products.

If applicable, the prices are solid metal prices without additional charges and VAT. Sales only to business customers.

**Remarks**

**Technical Data**

**General information**

Brand	EPIC®
Product type	Round housing

Scope of delivery	including contacts
Contacts included	Yes
Delivery Unit	5

### Electrical parameters

Rated voltage power contact	630 V AC rms / DC according to IEC to 3 600 V AC rms / DC according to UL to 3 600 V AC rms / DC according to CSA to 3
Rated voltage signal contact	250 V AC rms / DC according to IEC to 4 250 V AC rms / DC according to UL to 4 250 V AC rms / DC according to CSA to 4
Rated surge voltage power contact	6 kV AC rms / DC according to IEC 61984 to 3
Rated surge voltage signal contact	4 kV AC rms / DC according to IEC 61984 to 4
Rated current power contact	26 A according to UL 26 A according to CSA 26 A according to IEC
Rated current signal contact	7 A according to UL 7 A according to CSA 7 A according to IEC
Overvoltage category	III

### Product design

Number of contacts	3+PE+4
Number of power contacts	3
Number of PE contacts	1
Number of signal contacts	4
Total length	1.102 in
Overall width	1.102 in
Overall height	1.996 in
Contact variant	Socket
Connector housing design	Straight
Coded	No
With thread	No

With protective conductor	Yes
Leading PE contact	Yes
Format of connector	M 23 power
Connector type	Socket
Screen contact	Yes
EMC shielding	Yes
Connection type conductor	Crimp termination
PE connection type	Crimp termination
Stripping length, power contact	8 mm
Stripping length, signal contact	7 mm
Stripping length of PE	0.315 in
Connectable conductor cross section min. (AWG)	26 AWG
Max. connectable conductor cross-section AWG	14 AWG
Connectable conductor cross-section for power contacts min. (mm <sup>2</sup> )	0.5 mm <sup>2</sup>
Connectable conductor cross-section for power contacts max. (mm <sup>2</sup> )	2.5 mm <sup>2</sup>
Connectable conductor cross-section for signal contacts min. (mm <sup>2</sup> )	0.14 mm <sup>2</sup>
Connectable conductor cross-section for signal contacts max. (mm <sup>2</sup> )	1 mm <sup>2</sup>
Housing main material	Zinc alloy
Housing coating	Nickel-plated
Coating housing shortname	Ni
Material contact	Brass
Contact material, short form	CuZn
Contact coating material	Gold-plated
Contact coating material, short form	Au
Contact insert material	Polyamide
Material contact insert shortname	PA
Seal type	Sealing ring
Material sealing	Fluorinated rubber
Colour housing	silver

**Product features**

Min. number of insertion cycles	500
Protection rating (IP), mounted	IP 2X
IP protection rating mounted	IP 68 - 1m (10h)
Pollution degree	3
Operating temperature min. static (no plugging or unplugging)	-40 °C
Operating temperature max.	-25 °C
Operation temperature max.	125 °C
Corrosion-resistant according to corrosion resistant	DIN EN 60068-2-60, Ke 4 Yes
Halogenfree	No
Impact proof	Yes
Vibration protection	Yes

**Certifications and standards**

CE marking	Yes
UR recognized	No
UL category control number	CYJV2
cUR recognized	No
cUR category control number	CYJV8
CSA certified	No
VDE certified	Yes
VDE registration number	B25
Product standard according to IEC	IEC 61984

**EPIC® POWER LS1 A6 TWIST**

Article No.	Name	Number of contacts	Contacts included	Delivery Unit	Number of power contacts	Number of PE contacts	Connectable conductor cross-section for power contacts min. (mm <sup>2</sup> )	Connectable conductor cross-section for power contacts max. (mm <sup>2</sup> )	Number of signal contacts	Connectable conductor cross-section for signal contacts min. (mm <sup>2</sup> )	Connectable conductor cross-section for signal contacts max. (mm <sup>2</sup> )
24441291	EPIC® POWER LS1 A6 5+PE K TWIST	5+PE	Yes	5	5	1	0.5 mm <sup>2</sup>	2.5 mm <sup>2</sup>	0		
24441292	EPIC® POWER LS1 A6 3+PE+4 K TWIST	3+PE+4	Yes	5	3	1	0.5 mm <sup>2</sup>	2.5 mm <sup>2</sup>	4	0.14 mm <sup>2</sup>	1 mm <sup>2</sup>

V1.1