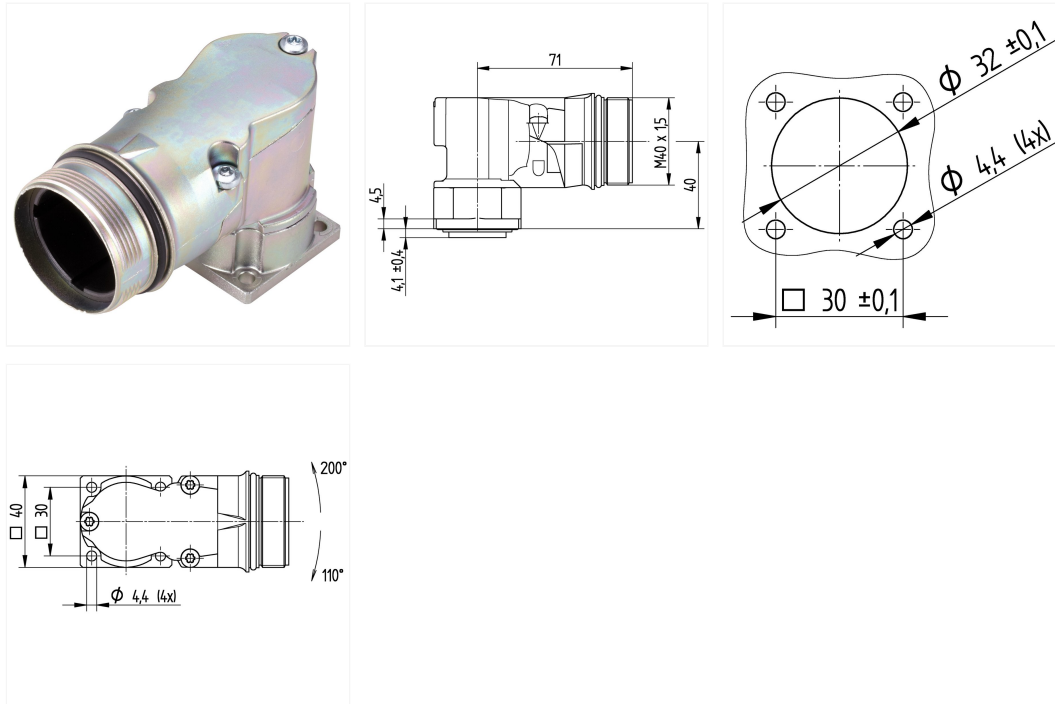


EPIC® POWER LS1.5 A3 3+PE+4 (1)
Article No.: 44429307

Panel-mount base; M 40; Pin; Number of contacts: 3+PE+4;



Details

Application

- Plant engineering

Notes

Unless specified otherwise, the product values shown are rated values at room temperature. You can receive additional values, such as tolerances, upon request if they are available and have been released for publication.

Photographs and graphics are not to scale and do not represent detailed images of the respective products.

If applicable, the prices are solid metal prices without additional charges and VAT. Sales only to business customers.

Remarks

 Technical Data

General information

Brand	EPIC®
Product type	Panel-mount base
Scope of delivery	Order contacts separately
Contacts included	No
Delivery Unit	1

Electrical parameters

Rated voltage power contact	630 V AC rms / DC according to IEC to 3
Rated voltage signal contact	250 V AC rms / DC according to IEC to 4
Rated surge voltage power contact	6 kV AC rms / DC according to IEC 61984 to 3
Rated surge voltage signal contact	4 kV AC rms / DC according to IEC 61984 to 4
Rated current power contact	70 A according to IEC
Rated current signal contact	30 A according to IEC
Overvoltage category	III

Product design

Number of contacts	3+PE+4
Number of power contacts	3
Number of PE contacts	1
Number of signal contacts	4
Locking mechanism	Screw lock
Total length	3.583 in
Overall width	1.575 in
Overall height	3.189 in
Contact variant	Pin
Connector housing design	Angled
Coded	No
With thread	No

With protective conductor	Yes
Format of connector	M 40
Connector type	Plug
Screen contact	No
EMC shielding	Yes
Connection type conductor	Crimp termination
PE connection type	Crimp termination
Stripping length, power contact	10 mm
Stripping length, signal contact	8 mm
Stripping length of PE	0.394 in
Connectable conductor cross section min. (AWG)	26 AWG
Max. connectable conductor cross-section AWG	8 AWG
Connectable conductor cross-section for power contacts min. (mm ²)	0.75 mm ²
Connectable conductor cross-section for power contacts max. (mm ²)	10 mm ²
Connectable conductor cross-section for signal contacts min. (mm ²)	0.14 mm ²
Connectable conductor cross-section for signal contacts max. (mm ²)	4 mm ²
Housing main material	Zinc alloy
Housing base material, short form	Zn
Housing coating	Nickel-plated
Coating housing shortname	Ni
Material contact	Brass
Contact material, short form	CuZn
Contact coating material	Gold-plated
Contact coating material, short form	Au
Seal type	Sealing ring
Material sealing	Fluorinated rubber
Colour description	black
Colour housing	silver

Product features

Min. number of insertion cycles	100
IP protection rating mounted	IP 67
Pollution degree	3
Operating temperature max.	-40 °C
Operation temperature max.	125 °C
corrosion resistant	Yes
Halogenfree	No
Impact proof	Yes
Vibration protection	Yes

Certifications and standards

CE marking	No
EAC certified	Not required
EAC certification number	Отказное письмо № 39
UR recognized	No
cUR recognized	No
CSA certified	No
VDE certified	No
Product standard according to IEC	IEC 61984

EPIC® POWER LS1.5 A3

Article No.	Name	Number of contacts	Number of power contacts	Number of PE contacts	Number of signal contacts	Delivery Unit
44429306	EPIC® POWER LS1.5 A3 3+PE+2 (1)	3+PE+2	3	1	2	1
44429307	EPIC® POWER LS1.5 A3 3+PE+4 (1)	3+PE+4	3	1	4	1

V1.1