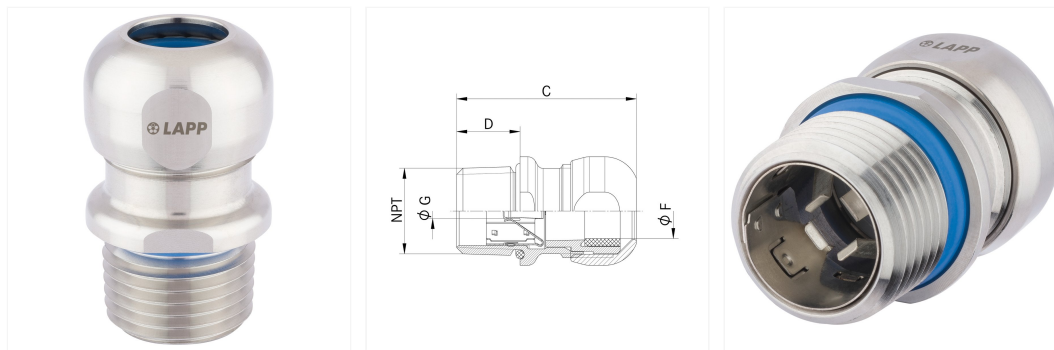


## SKINTOP® INOX SC NPT 3/8IN

**Article No.:** 53806819

Cable gland; NPT 3/8"; Clamping range (min./max.): 0.236 - 0.394 in; Wrench width 1: 0.787; Stainless steel Uncoated; Halogen-free; UV-resistant; IP 69, IP 68 - 5 g/cm<sup>2</sup> (30 min); EMC shielding



**CECOLAB®** NSF **IC** **UL** **US**



### Details

#### Benefits

- Resistant to corrosion in salty sea water and many chemical substances.
- Tested resistance to ECOLAB® disinfectants and cleaning agents.
- With smooth surfaces and fewer corners and edges for easy cleaning process.
- More compact design than other cable glands.
- The best possible sealing enables protection class IP 68 (5 bar).
- Optimum EMC protection thanks to integrated, highly conductive and flexible contact spring, which creates a low-resistance transition between the copper braided shielding and the gland.
- Sealing material in blue to easily distinguish the cable glands used in the food industry.

#### Application

- For EMC-compliant insertion of copper-shielded cables.
- For use in offshore applications involving contact with seawater.
- Wherever excellent resistance to a wide range of chemical substances is required.
- Also suitable for use in the food industry, where the product needs to be installed in the splash zone or in the indirect food production environment (product-free zone).

- Withstands high mechanical stress.

### Notes

Photographs and graphics are not to scale and do not represent detailed images of the respective products.

If applicable, the prices are solid metal prices without additional charges and VAT. Sales only to business customers.

Unless specified otherwise, the product values shown are rated values at room temperature. You can receive additional values, such as tolerances, upon request if they are available and have been released for publication.

### Remarks

### Technical Data

#### General information

Brand	SKINTOP®
Product type	Cable gland
Delivery with lock nut	No
Including o-ring	Yes
Type of packaging	Bag
Delivery Unit	5

#### Electrical parameters

#### Product design

For armored cables	No
Glass-fibre reinforced	No
Number of cable entries	1 pc.
With bending protection	No
Cable gland design	Straight
Total length	1.591 in
Clear width	0.394 in
Thread type	NPT
Thread size	NPT 3/8"

Pitch of thread	1,41
Thread length	0.591 in
Spanner size 1	0.787 in
Wrench size 2	0.787 in
Hexagon corner dimensions	0.843 in
Clamping range min.	0.236 in
Clamping range max.	0.394 in
EMC shielding	Yes
Material insert	Polyamide
Seal type	Conduit Sealing Ring
Thread-side sealing element	O-ring
Cable-side sealing element	Conduit Sealing Ring
Material o-ring	Silicone
Material sealing	Silicone
Body material	Stainless steel
Body material, short form	V4A
Surface protection	Uncoated
Colour description	metal

### Product features

IP protection rating	IP 69 IP 68 - 5 g/cm <sup>2</sup> (30 min)
NEMA classification type	Type 1 Type 2 Type 4x Type 6 Type 12
Suitable for EX-applications	No
Temperature (min.)	-40 °C
Max. temperatur	100 °C
Flame-retardant	Yes
UV-resistant	Yes
Chemical resistant	Yes
Acid-resistant	Yes
corrosion resistant	Yes

Halogenfree	Yes
Oil resistant	Yes
Impact proof	Yes
Vibration protection	Yes
Strain relief	Yes

**Certifications and standards**

CE marking	Yes
UL recognized	Yes
UL AWM certification	according to UL 514B (CCN: QBPZ2 / e-file number: E79903)
UL listed	No
cUR recognized	Yes
cUR certification	according to CSA C22.2 No. 18.3 (CCN: QBPZ8 / e-file number: E79903)
cUL listed	No
CSA certified	No
VDE certified	No
For Ex zone gas	without
For Ex-zone dust	without
GGVS certified	No
DNV-certified	No
Tested for fire protection for railway vehicles	No
Ecolab certified	Yes
NSF certified	Yes
FDA certified	No
EHEDG certified	No

**SKINTOP® INOX SC NPT**

Article No.	Name	Thread size	Thread length	Clamping range min.	Clamping range max.	Spanner size 1	Delivery Unit
53806818	SKINTOP® INOX SC NPT 1/4IN	NPT 1/4"	0.591 in	0.157 in	0.276 in	0.63 in	5
53806819	SKINTOP® INOX SC NPT 3/8IN	NPT 3/8"	0.591 in	0.236 in	0.394 in	0.787 in	5
53806820	SKINTOP® INOX SC NPT 1/2IN	NPT 1/2"	0.591 in	0.276 in	0.512 in	0.945 in	5
53806821	SKINTOP® INOX SC NPT 3/4IN	NPT 3/4"	0.591 in	0.354 in	0.669 in	1.142 in	5
53806822	SKINTOP® INOX SC NPT 1IN	NPT 1"	0.591 in	0.433 in	0.827 in	1.417 in	5
53806823	SKINTOP® INOX SC NPT 1 1/4IN	NPT 1 1/4"	0.669 in	0.748 in	1.102 in	1.772 in	5
53806824	SKINTOP® INOX SC NPT 1 1/2IN	NPT 1 1/2"	0.669 in	1.063 in	1.378 in	2.126 in	5

V1.1