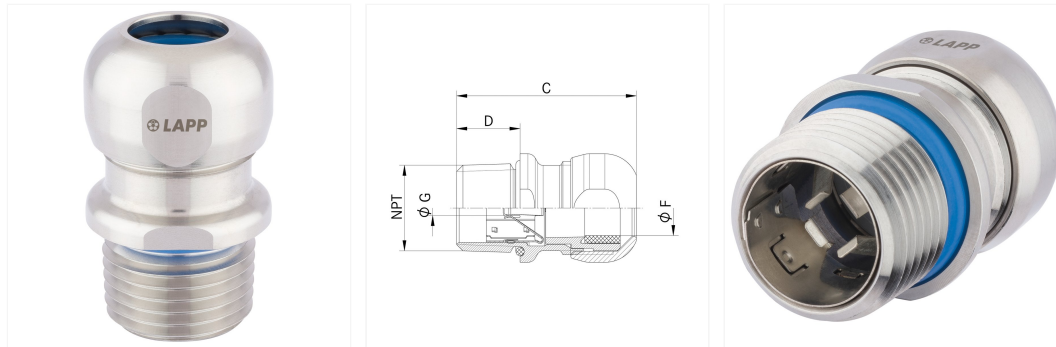


SKINTOP® INOX SC NPT 3/4IN
Article No.: 53806821

Cable gland; NPT 3/4"; Clamping range (min./max.): 0.354 - 0.669 in; Wrench width 1: 1.142; Stainless steel Uncoated; Halogen-free; UV-resistant; IP 69, IP 68 - 5 g/cm² (30 min); EMC shielding




Details
Benefits

- Resistant to corrosion in salty sea water and many chemical substances.
- Tested resistance to ECOLAB® disinfectants and cleaning agents.
- With smooth surfaces and fewer corners and edges for easy cleaning process.
- More compact design than other cable glands.
- The best possible sealing enables protection class IP 68 (5 bar).
- Optimum EMC protection thanks to integrated, highly conductive and flexible contact spring, which creates a low-resistance transition between the copper braided shielding and the gland.
- Sealing material in blue to easily distinguish the cable glands used in the food industry.

Application

- For EMC-compliant insertion of copper-shielded cables.
- For use in offshore applications involving contact with seawater.
- Wherever excellent resistance to a wide range of chemical substances is required.
- Also suitable for use in the food industry, where the product needs to be installed in the splash zone or in the indirect food production environment (product-free zone).

- Withstands high mechanical stress.

Notes

Photographs and graphics are not to scale and do not represent detailed images of the respective products.

If applicable, the prices are solid metal prices without additional charges and VAT. Sales only to business customers.

Unless specified otherwise, the product values shown are rated values at room temperature. You can receive additional values, such as tolerances, upon request if they are available and have been released for publication.

Remarks

Technical Data

General information

| | |
|------------------------|-------------|
| Brand | SKINTOP® |
| Product type | Cable gland |
| Delivery with lock nut | No |
| Including o-ring | Yes |
| Type of packaging | Bag |
| Delivery Unit | 5 |

Electrical parameters

Product design

| | |
|-------------------------|----------|
| For armored cables | No |
| Glass-fibre reinforced | No |
| Number of cable entries | 1 pc. |
| With bending protection | No |
| Cable gland design | Straight |
| Total length | 1.819 in |
| Clear width | 0.669 in |
| Thread type | NPT |
| Thread size | NPT 3/4" |

| | |
|-----------------------------|----------------------|
| Pitch of thread | 1,81 |
| Thread length | 0.591 in |
| Spanner size 1 | 1.142 in |
| Wrench size 2 | 1.142 in |
| Hexagon corner dimensions | 1.213 in |
| Clamping range min. | 0.354 in |
| Clamping range max. | 0.669 in |
| EMC shielding | Yes |
| Material insert | Polyamide |
| Seal type | Conduit Sealing Ring |
| Thread-side sealing element | O-ring |
| Cable-side sealing element | Conduit Sealing Ring |
| Material o-ring | Silicone |
| Material sealing | Silicone |
| Body material | Stainless steel |
| Body material, short form | V4A |
| Surface protection | Uncoated |
| Colour description | metal |

Product features

| | |
|------------------------------|--|
| IP protection rating | IP 69 IP 68 - 5 g/cm ² (30 min) |
| NEMA classification type | Type 1 Type 2 Type 4x Type 6 Type 12 |
| Suitable for EX-applications | No |
| Temperature (min.) | -40 °C |
| Max. temperatur | 100 °C |
| Flame-retardant | Yes |
| UV-resistant | Yes |
| Chemical resistant | Yes |
| Acid-resistant | Yes |
| corrosion resistant | Yes |

| | |
|----------------------|-----|
| Halogenfree | Yes |
| Oil resistant | Yes |
| Impact proof | Yes |
| Vibration protection | Yes |
| Strain relief | Yes |

Certifications and standards

| | |
|---|--|
| CE marking | Yes |
| UL recognized | Yes |
| UL AWM certification | according to UL 514B (CCN: QBPZ2 / e-file number: E79903) |
| UL listed | No |
| cUR recognized | Yes |
| cUR certification | according to CSA C22.2 No. 18.3 (CCN: QBPZ8 / e-file number: E79903) |
| cUL listed | No |
| CSA certified | No |
| VDE certified | No |
| For Ex zone gas | without |
| For Ex-zone dust | without |
| GGVS certified | No |
| DNV-certified | No |
| Tested for fire protection for railway vehicles | No |
| Ecolab certified | Yes |
| NSF certified | Yes |
| FDA certified | No |
| EHEDG certified | No |

SKINTOP® INOX SC NPT

| Article No. | Name | Thread size | Thread length | Clamping range min. | Clamping range max. | Spanner size 1 | Delivery Unit |
|-------------|------------------------------|-------------|---------------|---------------------|---------------------|----------------|---------------|
| 53806818 | SKINTOP® INOX SC NPT 1/4IN | NPT 1/4" | 0.591 in | 0.157 in | 0.276 in | 0.63 in | 5 |
| 53806819 | SKINTOP® INOX SC NPT 3/8IN | NPT 3/8" | 0.591 in | 0.236 in | 0.394 in | 0.787 in | 5 |
| 53806820 | SKINTOP® INOX SC NPT 1/2IN | NPT 1/2" | 0.591 in | 0.276 in | 0.512 in | 0.945 in | 5 |
| 53806821 | SKINTOP® INOX SC NPT 3/4IN | NPT 3/4" | 0.591 in | 0.354 in | 0.669 in | 1.142 in | 5 |
| 53806822 | SKINTOP® INOX SC NPT 1IN | NPT 1" | 0.591 in | 0.433 in | 0.827 in | 1.417 in | 5 |
| 53806823 | SKINTOP® INOX SC NPT 1 1/4IN | NPT 1 1/4" | 0.669 in | 0.748 in | 1.102 in | 1.772 in | 5 |
| 53806824 | SKINTOP® INOX SC NPT 1 1/2IN | NPT 1 1/2" | 0.669 in | 1.063 in | 1.378 in | 2.126 in | 5 |

V1.1