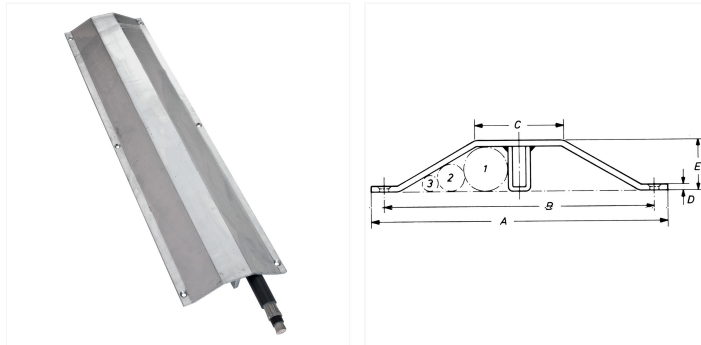


STEEL CABLE DUCT ST 1

Article No.: 61717000

Cable duct; Overall width: 250mm; ; Overall height: 45mm



Details

Notes

Unless specified otherwise, the product values shown are rated values at room temperature. You can receive additional values, such as tolerances, upon request if they are available and have been released for publication.

Photographs and graphics are not to scale and do not represent detailed images of the respective products.

If applicable, the prices are solid metal prices without additional charges and VAT. Sales only to business customers.

Trade product, not a LAPP product.

Remarks

Trade product, not a LAPP product.

Technical Data

General information

Product type	Cable duct
Max. cable weight	15,435 lbs
Delivery Unit	1

Electrical parameters**Product design**

Total length	39.37 in
Overall width	9.843 in
Overall height	1.772 in
Material	Steel
Surface protection	Galvanized
Colour description	metal

Product features

Flame-retardant	Yes
-----------------	-----

Certifications and standards

ST steel cable tunnel

Article No.	Name	Overall width	Total length	Overall height
61717000	STEEL CABLE DUCT ST 1	9.843 in	39.37 in	1.772 in
61717040	STEEL CABLE DUCT ST 2	7.165 in	39.37 in	1.339 in
61717070	STEEL CABLE DUCT ST 3	5.276 in	39.37 in	0.945 in

V1.1