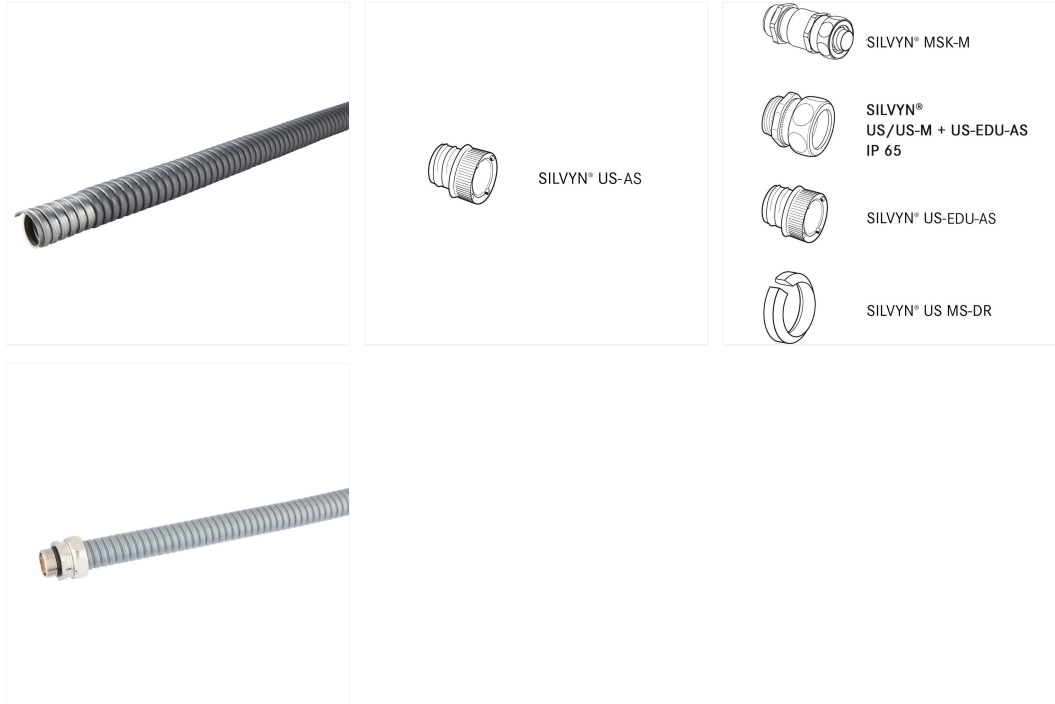


SILVYN® AS-P 27 / 22X27 10M GY
Article No.: 64400150

Protective cable conduit with braiding and interlocked profile; Inner diameter: 0.866in; Outer diameter: 1.063in; Nominal size: 27; Steel;



Details

Application

- Plant engineering

Notes

Unless specified otherwise, the product values shown are rated values at room temperature. You can receive additional values, such as tolerances, upon request if they are available and have been released for publication.

Photographs and graphics are not to scale and do not represent detailed images of the respective products.

If applicable, the prices are solid metal prices without additional charges and VAT. Sales only to business customers.

Remarks

Technical Data

General information

Brand	SILVYN®
Product type	Protective cable conduit with braiding and interlocked profile
Delivery Unit	10

Electrical parameters

Product design

With bending protection	No
Bending protection fixed installation	No
Flexibly installed bending protection	No
Slotted	No
Resistance against hot swarf	No
Inner diameter	0.866 in
Outer diameter	1.063 in
Total length	393.701 in
Nominal size	27 "
Lockable (two-part)	No
EMC shielding	No
jacket material	Polyvinylchloride
Material conduit	Steel
Conduit surface externally smooth	No
Smooth inner conduit surface	No
Colour description	gray

Product features

For permanent bending	No
Suitable for EX-applications	No
Bending radius, static	5.315 in
Flame-retardant	No
UV-resistant	No
Halogenfree	No
Oil resistant	Yes
Impact proof	Yes

Certifications and standards

CE marking	Yes
EAC certified	Not required
EAC certification number	Отказное письмо № 505
UL recognized	No
UL listed	No
cUR recognized	No
cUL listed	No
CSA certified	No
VDE certified	Yes
GGVS certified	No
DNV-certified	No
Ecolab certified	No
NSF certified	No
FDA certified	No
EHEDG certified	No

SILVYN® AS-P

Article No.	Name	Inner diameter	Outer diameter	Nominal size	Total length	Delivery Unit
64400010	SILVYN® AS-P 10 / 7X10 50M GY	0.276 in	0.394 in	10 "	1,968.504 in	50
64400020	SILVYN® AS-P 14 / 10X14 50M GY	0.394 in	0.551 in	14 "	1,968.504 in	50
64400030	SILVYN® AS-P 17 / 13X17 50M GY	0.512 in	0.669 in	17 "	1,968.504 in	50
64400040	SILVYN® AS-P 19 / 15X19 50M GY	0.591 in	0.748 in	19 "	1,968.504 in	50
64400050	SILVYN® AS-P 21 / 17X21 50M GY	0.669 in	0.827 in	21 "	1,968.504 in	50
64400060	SILVYN® AS-P 27 / 22X27 50M GY	0.866 in	1.063 in	27 "	1,968.504 in	50
64400070	SILVYN® AS-P 36 / 29X36 25M GY	1.142 in	1.417 in	36 "	984.252 in	25
64400080	SILVYN® AS-P 45 / 38X45 25M GY	1.496 in	1.772 in	45 "	984.252 in	25
64400090	SILVYN® AS-P 56 / 49X56 25M GY	1.929 in	2.205 in	56 "	984.252 in	
64400100	SILVYN® AS-P 10 / 7X10 10M GY	0.276 in	0.394 in	10 "	393.701 in	10
64400120	SILVYN® AS-P 17 / 13X17 10M GY	0.512 in	0.669 in	17 "	393.701 in	10
64400140	SILVYN® AS-P 21 / 17X21 10M GY	0.669 in	0.827 in	21 "	393.701 in	10
64400150	SILVYN® AS-P 27 / 22X27 10M GY	0.866 in	1.063 in	27 "	393.701 in	10

V1.1