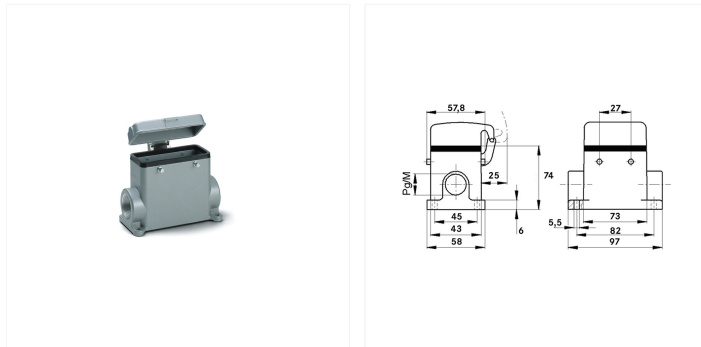


EPIC® H-B 10 SDRLH-BO M32

Article No.: 79046400

Surface-mount base; Design size: 10B; Plug connection design: High; Double lever; Number of cable entries: 2; Aluminum, Powder-coated; IP protection class plugged in: IP 65



Details

Benefits

- The EPIC® H-B range of rectangular connectors includes spacious housings that offer more space for multiple or thicker cables.
- The surface-mount base can be plugged into many of the most popular hoods.
- The high design offers more space, making it suitable for larger inserts or applications that need more space in the housing.
- With threaded borehole for use with a corresponding cable gland.
- Locking takes place using a double lever on the counter-housing.
- Meets protection class IP 65 when locked.
- UL certification according to technical data enables the product to be used on the North American market.

Application

- For protecting the connector insert against environmental influences.
- For use with many EPIC® rectangular connector inserts.
- For connecting devices and machines to a power supply in various applications
- With modular connector assembly, also suitable for signal and data transmission.
- Suitable for outdoor use.

Notes

Unless specified otherwise, the product values shown are rated values at room temperature. You can receive additional values, such as tolerances, upon request if they are available and have been released for publication.

Photographs and graphics are not to scale and do not represent detailed images of the respective products.

If applicable, the prices are solid metal prices without additional charges and VAT. Sales only to business customers.

Remarks

Technical Data

General information

Brand	EPIC®
Product type	Surface-mount base
Design size	10B
Delivery Unit	5

Electrical parameters
Product design

With cable gland	No
Number of cable entries	2 pc.
Number of cable entries at the top	0
Number of cable entries sideways	2
Locking bolt variant	Bolts for Double Lever
With levers	No
Locking mechanism	Double lever
Number of locking bolts	4
Total length	2.874 in
Overall width	1.693 in
Overall height	2.874 in
Thread type	Metric

Thread size	M 32
Pitch of thread	1,5
Type of housing	Surface-mount base
Connector housing design	Angled
With thread	Yes
With hinged lid	Yes
Connection design	High
With neck	No
Screen contact	No
EMC shielding	No
Housing main material	Aluminum
Housing base material, short form	Al
Housing coating	Powder-coated
Locking bolt material	Steel
Material sealing	Acrylonitrile butadiene rubber
Colour housing	gray
Housing RAL color	RAL 9006

Product features

IP protection rating mounted	IP 65
Short term temperature peak	125 °C
Operating temperature max.	-40 °C
Operation temperature max.	100 °C
UV-resistant	Yes
Chemical resistant	No
Acid-resistant	No
Corrosion-resistant according to	DIN EN 6988
corrosion resistant	Yes
Halogenfree	Yes
Impact proof	Yes
Vibration protection	Yes

Certifications and standards

CE marking	Yes
UR recognized	Yes
UR certification	according to UL 1977 (e-file number: E75770) according to UL 50E (e-file number: E75770)
UL category control number	ECBT2
cUR recognized	Yes
cUR certification	according to CSA C22.2 No. 182.3
cUR category control number	ECBT8
CSA certified	No
VDE certified	Yes
VDE registration number	B437
Product standard according to IEC	IEC 61984
TÜV certified	No

EPIC® H-B 10 SDRLH-BO

Article No.	Name	Thread type	Thread size	Delivery Unit
79046200	EPIC® H-B 10 SDRLH-BO M25	Metric	M 25	5
79046400	EPIC® H-B 10 SDRLH-BO M32	Metric	M 32	5

V1.1